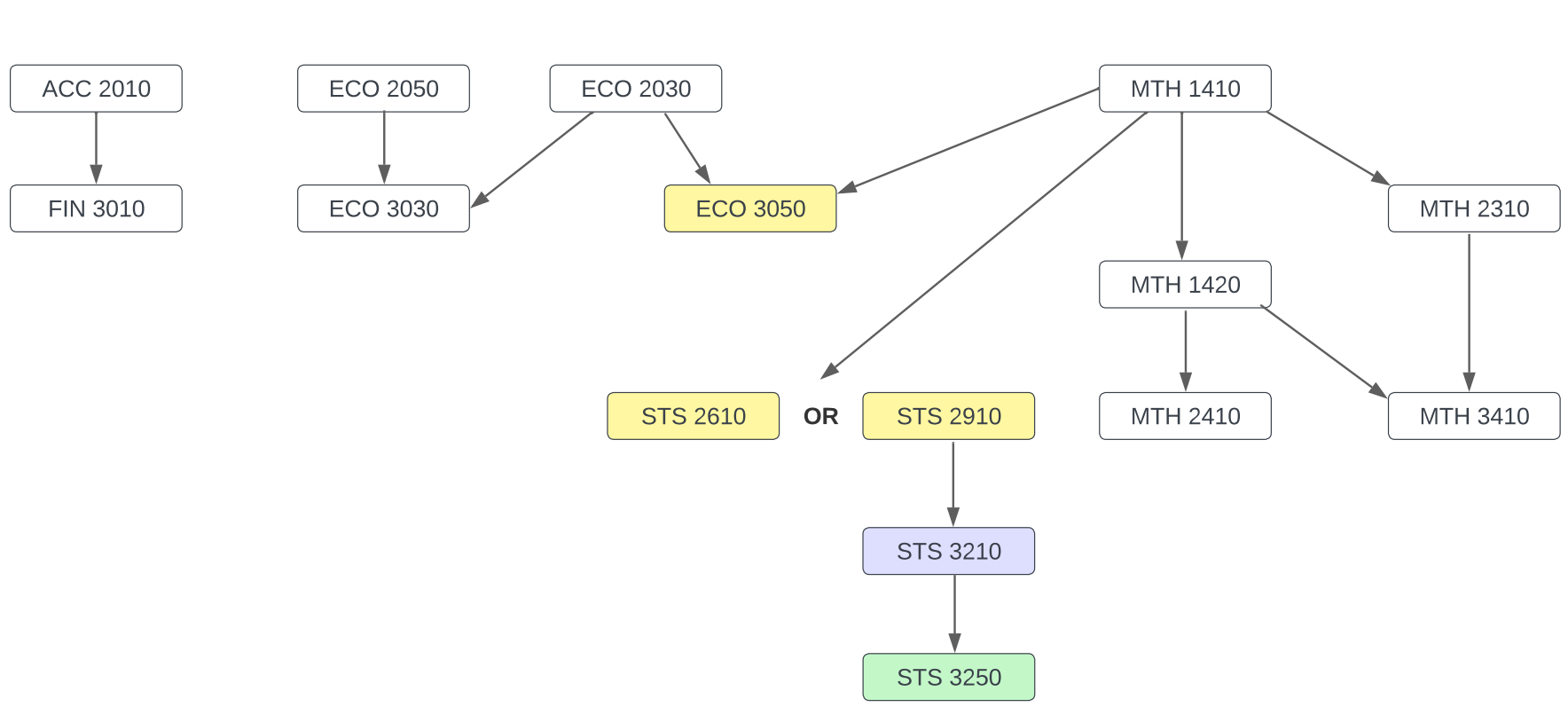


Requirements for BS in Mathematical Economics



Alternate prerequisite is MTH 1310

Optional prerequisites include STS 2020, STS 2610, or PSY 2100

Optional prerequisites include STS 3110 or ECO 4150

Additional Requirements:

Two ECO electives at the 3000 level or above or MTH 4910, MTH 4920, and one ECO elective at the 3000 level and above